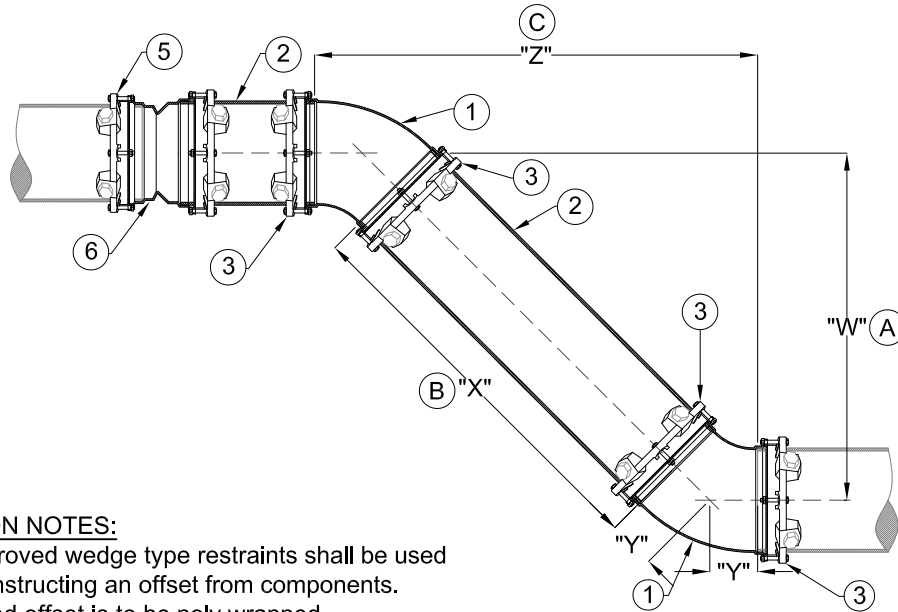




WATER T&D Construction Standard

3" ASSEMBLED OFFSETS

APPLICATION: Adjusting water main horz. or vert. to avoid existing utilities.



INSTALLATION NOTES:

- Only approved wedge type restraints shall be used when constructing an offset from components.
- Completed offset is to be poly wrapped.
- Refer to Water T&D Construction Standard W-02-0100 for restrained pipe lengths each side of the offset.
- Refer to Water T&D Construction Standard W-02-2500 for complete offsets under existing sewers and other utilities.

- (A) This dimension equals the distance the main is to be offset.
- (B) This dimension equals the cut length for the pipe.
- (C) This dimension equals the lay length of the offset in the water main.

DIMENSIONS			
"W"	"X"	"Y"	"Z"
12"	14"	1-1/2"	15"
18"	23"	1-1/2"	21"
24"	31"	1-1/2"	27"
30"	39"	1-1/2"	33"
36"	48"	1-1/2"	39"
42"	56"	1-1/2"	45"
48"	65"	1-1/2"	51"
54"	73"	1-1/2"	57"
60"	82"	1-1/2"	63"

MATERIALS			
REF	ITEM NO.	QTY*	DESCRIPTION
1	36-02447	2	BEND, 4" MJ X MJ 45° COMPACT
2	37-11080	AS REQ'D.	PIPE, DUCTILE IRON, 4" SJ
3	36-23516	4	GLAND, RETAINER, WEDGE TYPE, 4"
4	37-00011	AS REQ'D.	PIPE, ENCASMENT, 8-10" PIPE
5	36-23503	1	GLAND, RETAINER, WEDGE TYPE, 3"
6	Non-Stock	1	REDUCER, 4" X 3" MJX MJ COMPACT

* Required for making one offset.

Manager, Water & Steam Distribution *Todd Russell*

Date: 2/9/2022

Director of Water Operations *Sanyee Mungarwadi*

Date: 2/10/2022