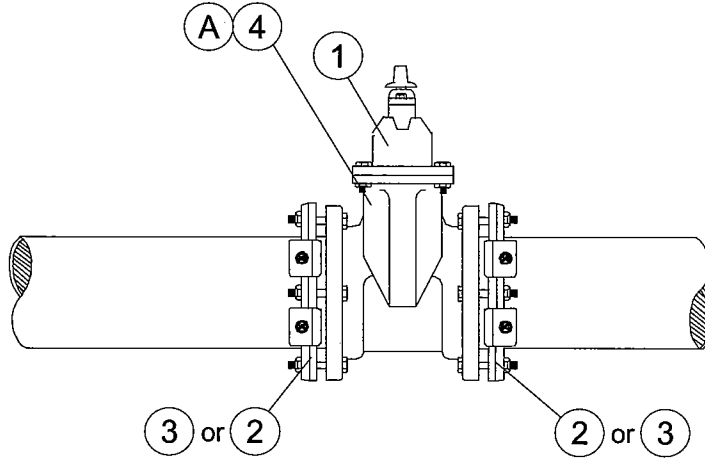


LANSING BOARD OF  
WATER & LIGHT

# Water T&D Construction Standard

## STANDARD WATER VALVE INSTALLATION

APPLICATION: Line valves in water mains.



### INSTALLATION NOTES

- Typical new valve installation or replacement. Size and type of gland is dependent on the size and type of pipe.
- Refer to LBWL Water T&D Standard W-06-1000 for valve box installation.

(A) The pipe, valve and glands shall be wrapped in polyethylene encasement material. The polyethylene encasement material shall prevent contact between the pipe, valve and the bedding material but is not intended to be a watertight enclosure. Polyethylene tape shall be used to close seams, secure to pipe, or hold overlaps.

MATERIALS			
REF	ITEM NO.	QTY	DESCRIPTION
①	38-02021	1	Valve, Gate, 3" MJ x MJ
①	38-02047	1	Valve, Gate, 4" MJ x MJ
①	38-02063	1	Valve, Gate, 6" MJ x MJ
①	38-02089	1	Valve, Gate, 8" MJ x MJ
①	38-02104	1	Valve, Gate, 10" MJ x MJ
①	38-02120	1	Valve, Gate, 12" MJ x MJ
①	38-02175	1	Valve, Gate, 14" MJ x MJ
①	38-02146	1	Valve, Gate, 16" MJ x MJ

MATERIALS			
REF	ITEM NO.	QTY	DESCRIPTION
②	36-23503	2	Gland, Retainer, Wedge 3"
②	36-23516	2	Gland, Retainer, Wedge 4"
②	36-23529	2	Gland, Retainer, Wedge 6"
②	36-23532	2	Gland, Retainer, Wedge 8"
②	36-23545	2	Gland, Retainer, Wedge 10"
②	36-23558	2	Gland, Retainer, Wedge 12"
②	36-23615	2	Gland, Retainer, Wedge 14"
②	36-23561	2	Gland, Retainer, Wedge 16"

20", 24" & 30" retainer glands are also stocked by LBWL

MATERIALS			
REF	ITEM NO.	QTY	DESCRIPTION
③	36-23727	2	Gland, Retainer, Wedge 4" over size
③	36-23730	2	Gland, Retainer, Wedge 6" over size
③	36-23743	2	Gland, Retainer, Wedge 8" over size
③	36-23756	2	Gland, Retainer, Wedge 10" over size
③	36-23769	2	Gland, Retainer, Wedge 12" over size
③	36-23772	2	Gland, Retainer, Wedge 14" over size

MATERIALS			
REF	ITEM NO.	QTY	DESCRIPTION
④	37-00008	as req.	Pipe encasement, 6"
④	37-00011	as req.	Pipe encasement, 8"
④	37-00024	as req.	Pipe encasement, 10"
④	37-00037	as req.	Pipe encasement, 12"
④	37-00040	as req.	Pipe encasement, 16"
④	37-00110	as req.	Pipe encasement, 30"

Director of Engineering *[Signature]*

Date: 5/31/06

Director of Delivery *[Signature]*

Date: 6/12/06